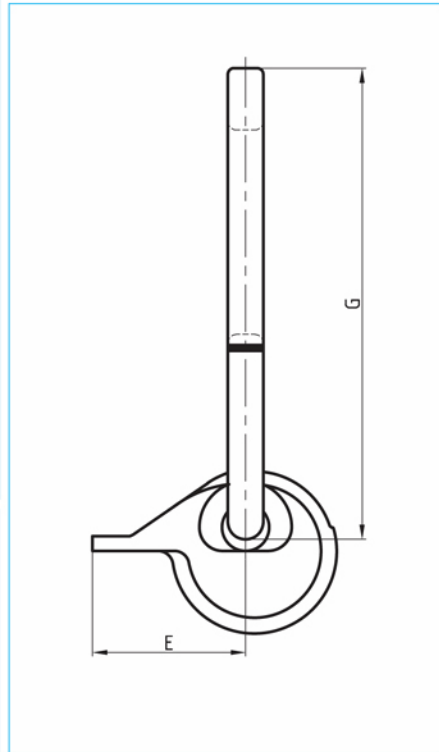


LIFTING CLUTCH



Description	Lifting Capacity (Ton)	Dimensions mm						
		A	B	C	D	E	F	G
LF - CL - 01.3	1 - 3	47	75	70	56	52	33	160
LF - CL - 02.5	1.5 - 2.5	58	88	86	66	62	40	197
LF - CL - 05.0	3 - 5	70	118	88	88	85	56	238
LF - CL - 10.0	6 - 10	88	160	115	115	116	73	340

Capacity loads are axial and breakage factor of safety are equal to 5 for all types