



## BSN T.S. - CSK Flat Head Type C-H

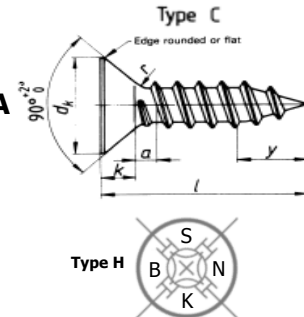
### Cross recessed countersunk flat head screws product grade A

Specification and International Standard: BS EN ISO 7050 : 1995

Material: cold heading, case hardening quality steel

Mechanical properties - international standard: ISO 2702

Surface finish: dacromet coated 500



#### Dimensions in millimetres

Thread size	ST 3.5	ST4.2	ST 4.8	ST 5.5	ST 6.3
$d_k$ (head width) max.	7.3	8.4	9.3	10.3	11.3
$d_k$ (head width) min.	6.9	8	8.9	9.9	10.9
$k$ (head height) max.	2.35	2.6	2.8	3	3.15
Pitch	1.3	1.4	1.6	1.8	1.8
Recess No.	2	2	2	3	3

Details refer to standard specification

Description: **BSN CSK Flat Head Tapping Screw**

Order designation: CK7050 + article no. (example: CK7050-35010)

$d \times L$	article no.	$d \times L$	article no.	$d \times L$	article no.
3.5 x 10	35010	4.8 x 10	48010	5.5 x 75	55075
3.5 x 12	35012	4.8 x 12	48012	5.5 x 87	55087
3.5 x 16	35016	4.8 x 16	48016	5.5 x 100	55100
3.5 x 19	35019	4.8 x 19	48019		
3.5 x 25	35025	4.8 x 25	48025	6.3 x 12	63012
3.5 x 32	35032	4.8 x 32	48032	6.3 x 16	63.16
3.5 x 37	35037	4.8 x 37	48037	6.3 x 19	63019
3.5 x 50	35050	4.8 x 50	48050	6.3 x 25	63.25
		4.8 x 62	48062	6.3 x 32	63032
4.2 x 10	42010	4.8 x 75	48075	6.3 x 37	63037
4.2 x 12	42012	4.8 x 100	48100	6.3 x 50	63050
4.2 x 16	42016			6.3 x 62	63062
4.2 x 19	42019	5.5 x 12	55012	6.3 x 75	63075
4.2 x 25	42025	5.5 x 16	55016	6.3 x 87	63087
4.2 x 32	42032	5.5 x 19	55019	6.3 x 100	63100
4.2 x 37	42037	5.5 x 25	55025		
4.2 x 50	42050	5.5 x 32	55032		
4.2 x 62	42062	5.5 x 37	55037		
4.2 x 75	42075	5.5 x 50	55050		
		5.5 x 62	55062		

Remark: other sizes on request ([www.BSNfastener.com](http://www.BSNfastener.com))