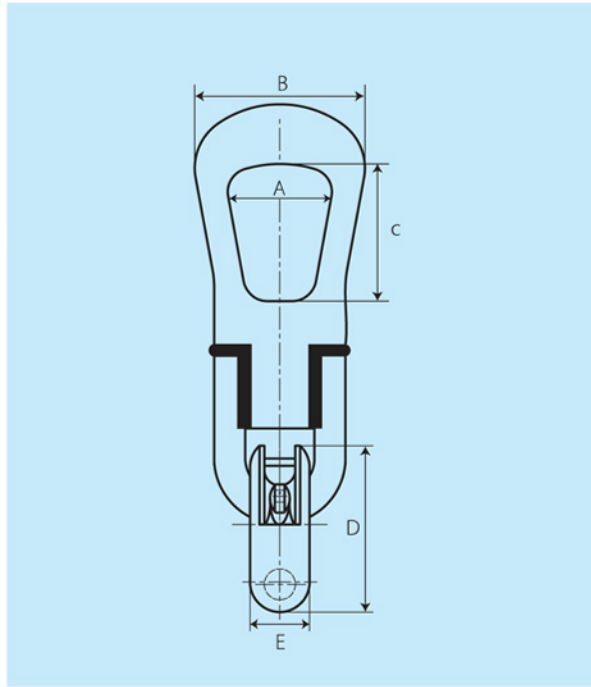
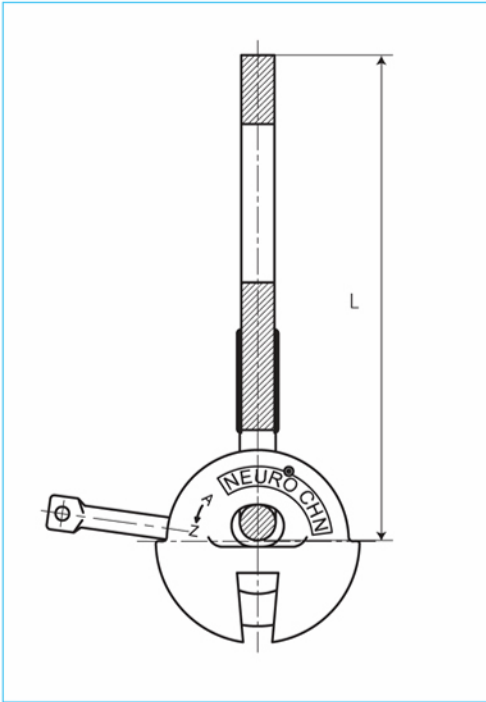
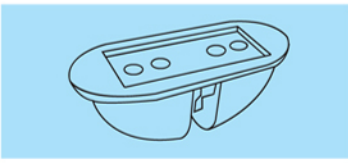




RING CLUTCH



RECESS FORMER



| Description | Lifting Capacity (Ton) |
|------------------|------------------------|
| RCS - FRM - 02.5 | 2.5 |
| RCS - FRM - 05.0 | 5.0 |
| RCS - FRM - 07.5 | 7.5 |

| Description | Lifting Capacity (Ton) | Dimensions mm | | | | | | |
|-----------------|------------------------|---------------|-----|-----|-----|----|-----|--|
| | | A | B | C | D | E | L | |
| RNG - CL - 02.5 | 0.7 - 2.5 | 52 | 92 | 70 | 74 | 30 | 285 | |
| RNG - CL - 05.0 | 3.0 - 5.0 | 71 | 120 | 86 | 98 | 36 | 285 | |
| RNG - CL - 10.0 | 5.3 - 10.0 | 90 | 156 | 112 | 139 | 50 | 353 | |

Capacity loads are axial and breakage factor of safety are equal to 5 for all types