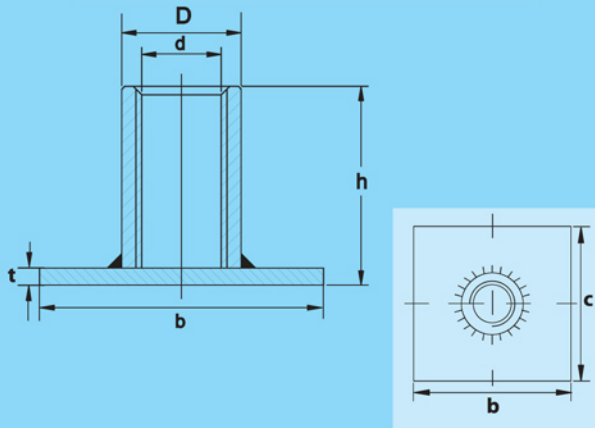




## FLAT PLATE ANCHOR



Ref.No. zinc plated	Re.No. Hot Dip Galv.	Ref.No. A2	Ref.No. A4	S.W. L kg	d mm	D mm	h mm	b mm	c mm	t mm
90512040G	90512040H	90512040S	90512040V	<b>500</b>	Rd 12 X 1.75	15	30	35	25	4
90514047G	90514047H	90514047S	90514047V	<b>800</b>	Rd 14 X 2.00	18	33	35	35	4
90516054G	90516054H	90516054S	90516054V	<b>1200</b>	Rd 16 X 2.00	21	35	50	35	4
90518065G	90518065H	90518065S	90518065V	<b>1600</b>	Rd 18 X 2.50	24	44	60	45	5
90520069G	90520069H	90520069S	90520069V	<b>2000</b>	Rd 20 X 2.50	27.2	47	60	60	5
90524078G	90524078H	90524078S	90524078V	<b>2500</b>	Rd 24 X 3.00	31	54	80	60	5
90530103G	90530103H	90530103S	90530103V	<b>4000</b>	RD 30 X 3.50	39.5	72	100	80	6
90536125G	90536125H	90536125S	90536125V	<b>6300</b>	Rd 36 X 4.00	47	84	130	100	8
90542145G	90542145H	90542145S	90542145V	<b>8000</b>	Rd 42 X 4.50	54	98	130	130	8
90552195G	90552195H	90552195S	90552195V	<b>12500</b>	Rd 52 X 5.00	67.2	117	150	130	10