

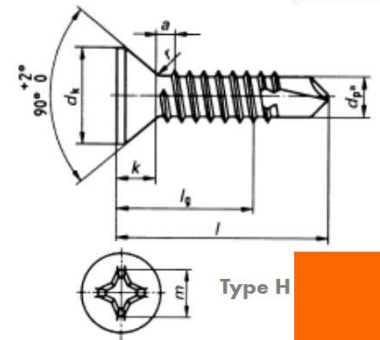
B.S.N. Fastener Limited

Cross recessed countersunk head drilling screws

Specification Standard: DIN 7504P

Material: Steel

Surface Finish: Electroplating ISO 4042



Dimensions in millimetres

Thread size	ST 3.5	ST4.2	ST 4.8	ST 5.5	ST 6.3
dk (head width) max.	7.3	8.4	9.3	10.3	11.3
dk (head width) min.	6.9	8	8.9	9.9	10.9
k (head height) max.	2.35	2.6	2.8	3	3.15
Pitch	1.3	1.4	1.6	1.8	1.8
Recess No.	2	2	2	3	3
m ref.	4.4	4.6	5.2	6.6	6.8

Details refer to standard specification

Description: Countersunk head drilling screw

Order designation: L7504P + article no. (example: L7504P-35010)

d x L	article no.	d x L	article no.	d x L	article no.
3.5 x 10	35010	4.8 x 10	48010		
3.5 x 12	35012	4.8 x 12	48012		
3.5 x 16	35016	4.8 x 16	48016		
3.5 x 19	35019	4.8 x 19	48019		
3.5 x 25	35025	4.8 x 25	48025		
3.5 x 32	35032	4.8 x 32	48032		
3.5 x 37	35037	4.8 x 37	48037		
3.5 x 50	35050	4.8 x 50	48050		
		4.8 x 62	48062		
4.2 x 10	42010	4.8 x 75	48075		
4.2 x 12	42012	4.8 x 100	48100		
4.2 x 16	42016				
4.2 x 19	42019	5.5 x 12	55012		
4.2 x 25	42025	5.5 x 16	48016		
4.2 x 32	42032	5.5 x 19	48019		
4.2 x 37	42037	5.5 x 25	48025		
4.2 x 50	42050	5.5 x 32	48032		
4.2 x 62	42062	5.5 x 37	48037		
4.2 x 75	42075	5.5 x 50	48050		
		5.5 x 62	48062		
		5.5 x 75	48075		
		5.5 x 87	48087		
		5.5 x 100	48100		

